



Edition : 3.0
Date: (08/24)

Instruction Manual

HAND LEVER SHEARS HS-6 & HS-12

Order Code: (S186 & S188)

SAFETY INSTRUCTIONS FOR HAND SHEAR

DO NOT use this machine unless you have been instructed in its safe use and operation and have read and understood this manual



Safety glasses must be worn at all times in work areas



Long and loose hair must be contained or restrained



Sturdy footwear must be worn at all times in work areas



Close fitting/protective clothing must be worn



Rings and jewellery must not be worn.



Protective gloves must be worn when materials are sharp.

PRE-OPERATIONAL SAFETY CHECKS

- ✓ Bench shears must be securely fastened to a bench or purpose designed stand.
- ✓ Guards or safety devices must never be removed or adjusted, except by an authorized person for maintenance purposes.
- ✓ Shearing edges (blades) should be maintained in good condition, be distortion free and correctly adjusted.
- ✓ Working parts should be well lubricated and the blades free of rust and dirt.
- ✓ Ensure no slip/trip hazards are present in workspaces and walkways.
- ✓ Sufficient space must exist around the machine to prevent accidental contact with others.
- ✓ Familiarise yourself with and check all machine operations and controls.

OPERATIONAL SAFETY CHECKS

- ✓ Never use bench shears for cutting metal that is beyond the machine's capacity with respect to thickness, shape, or type.
- ✓ Material should be properly supported during cutting and industrial type gloves should be worn to protect the hands.
- ✓ Use supports for long material – signpost if a tripping hazard.
- ✓ Manual handling tasks should be assessed and appropriate procedures put in place.
- ✓ Hold material securely to prevent it tilting during the cut.
- ✓ Ensure fingers and limbs are clear before operating the bench shears.

DON'T

- × DO NOT leave the blades in a position where accidental cutting can take place. Leave the blades shut when not in use.
- × DO NOT Leave the work area in an unsafe, dirty and untidy state.

POTENTIAL HAZARDS

- Moving blades
- Manual handling
- Squash, crush and pinch points
- Sharp edges
- Sticking and impact

SAFETY INSTRUCTIONS

WARNING: When using electric tools basic safety precautions should always be followed to reduce the risk of fire, electric shock and personal injury including the following. Read all these instructions before attempting to operate this product and save these instructions.

SAFE OPERATION

- 1. KEEP WORK AREA CLEAR:** Cluttered areas and benches invites injuries.
- 2. WORK AREA ENVIRONMENT:** Do not expose tools to rain. Do not use tools in damp or wet locations. Keep work area well lit. Do not use tools in the presence of flammable liquids or gases.
- 3. GUARD AGAINST ELECTRIC SHOCK:** Avoid contact with earthed or grounded surfaces (e.g. pipes, radiators, ranges, refrigerators).
- 4. KEEP OTHER PERSONS AWAY:** Do not let persons, especially children, not involved in the work touch the tool or the extension lead and keep them away from the work area.
- 5. STORE IDLE TOOLS:** When not in use, tool should be stored in a dry locked-up place, out of reach of children.
- 6. DO NOT FORCE THE TOOL:** It will do the job better and safer at the rate for which it was intended.
- 7. USE THE RIGHT TOOL:** Do not force tools to do the job of a heavy duty tool. Do not use tools for purposes not intended.
- 8. DRESS PROPERLY:** Do not wear loose clothing or jewellery, they can be caught in moving parts. Non-skid footwear is recommended
- 9. USE PROTECTIVE EQUIPMENT:** Use safety glasses. Use face or dust mask if working operations create dust.
- 10. MAINTAIN TOOLS WITH CARE:** Keep cutting tools sharp and clean for better and safer performance. Follow instruction for lubricating and changing accessories. Inspect tool cords periodically and if damaged have them repaired by an authorized service facility. Inspect extension cords periodically and replace if damaged. Keep handles dry, clean and free from oil and grease.
- 11. DISCONNECT TOOLS:** When not in use, before servicing and when changing accessories.
- 12. REMOVE KEYS AND WRENCHES:** Form the habit of checking to see that keys and adjusting wrenches are removed from the tool before turning it on.
- 13. AVOID UNINTENTIONAL STARTING:** Ensure switch is in "off" position before connecting to the power.
- 14. STAY ALERT:** Watch what you are doing, use common sense and do not operate the tool when you are tired.
- 15. CHECK DAMAGED PARTS:** Before further use of tool, it should be carefully checked to determine that it will operate properly and perform its intended function. Check for alignment of moving parts, binding of moving parts, breakage of parts, mounting and any other conditions that may affect its operation. A guard or other part that is damaged should be properly repaired or replaced by an authorized service centre unless otherwise indicated in this instruction manual. Have defective switches replaced by an authorized service centre. Do not use the tool if the switch does not turn it on and off.
- 16. WARNING:** The use of any accessory or attachment other than one recommended in this instruction manual may present a risk of personal injury.



WARNING

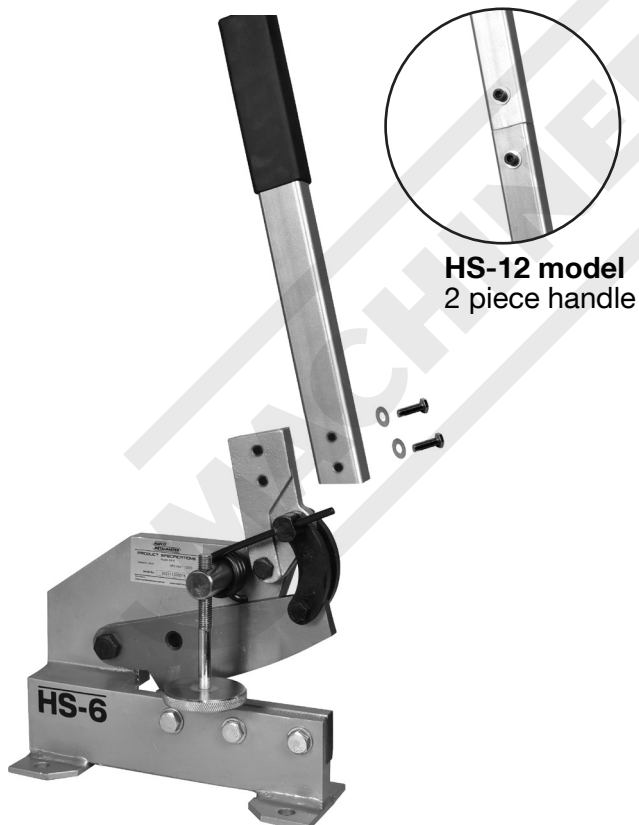
Before operating any machine, take time to read and understand all safety signs and symbols. If not understood seek explanation from your supervisor or an experienced operator.

SPECIFICATIONS

Order Code	S186	S188
MODEL	HS-6	HS-12
(mm) Blade Length	150	300
(mm) Full Length Capacity	5	6
(mm) Plate Capacity - Mild Steel	70 x 5	70 x 6
(mm) Round Capacity - Mild Steel	11	13
(mm) Cut Length - with 1.2mm Thickness	150	250
(kg) Nett Weight	14	23

ASSEMBLY INSTRUCTIONS

Attach the handle to the plate shear body with hex bolts and flat washers.



MOUNTING ON A BENCH

Use the mounting holes in the base as a guide for drilling and attach the shear to a workbench. This will prevent it from moving during operation.



WARNING.

Take care when operating this machine. Crush Points and amputation can occur between the workpiece and the blades.

OPERATION

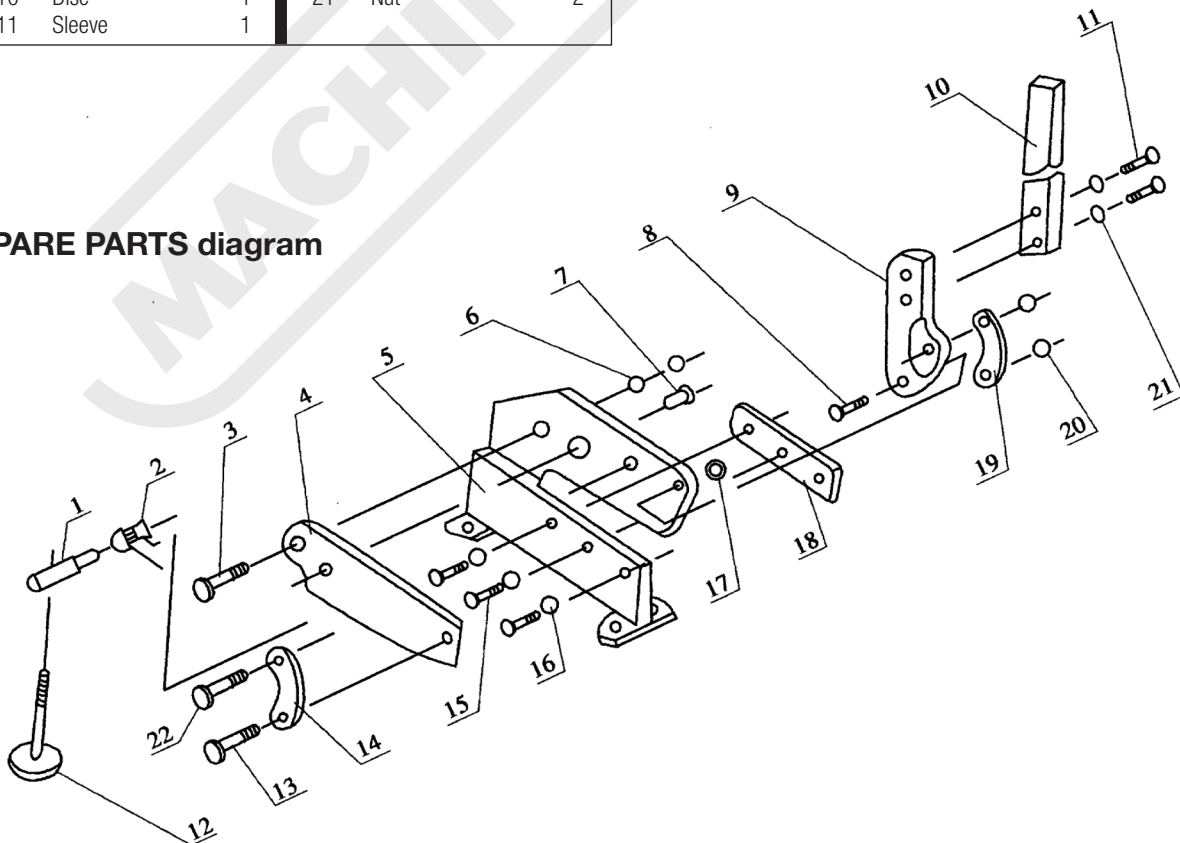
- Place workpiece between blades or through shearing hole.
If shearing a flat workpiece, position and secure with the holddown so it firmly presses the workpiece against the lower blade.



SPARE PARTS LIST

Item	Description	Qty	Item	Description	Qty
1	Shaft	1	12	Screw	1
2	Spring	1	13	Screw	1
3	Bolt	1	14	Washer	2
4	Upper Blade	1	15	Screw	1
5	Body	1	16	Rocker	2
6	Nut	2	17	Screw	3
7	Lever	1	18	Washer	3
8	Handle	1	19	Nut	1
9	Screw	2	20	Lower Blade	1
10	Disc	1	21	Nut	2
11	Sleeve	1			

SPARE PARTS diagram



WARNING

General Machinery Safety Instructions

Machinery House
requires you to read this entire Manual before using this machine.

- 1. Read the entire Manual before starting machinery.** Machinery may cause serious injury if not correctly used.
- 2. Always use correct hearing protection when operating machinery.** Machinery noise may cause permanent hearing damage.
- 3. Machinery must never be used when tired, or under the influence of drugs or alcohol.** When running machinery you must be alert at all times.
- 4. Wear correct Clothing.** At all times remove all loose clothing, necklaces, rings, jewelry, etc. Long hair must be contained in a hair net. Non-slip protective footwear must be worn.
- 5. Always wear correct respirators around fumes or dust when operating machinery.** Machinery fumes & dust can cause serious respiratory illness. Dust extractors must be used where applicable.
- 6. Always wear correct safety glasses.** When machining you must use the correct eye protection to prevent injuring your eyes.
- 7. Keep work clean and make sure you have good lighting.** Cluttered and dark shadows may cause accidents.
- 8. Personnel must be properly trained or well supervised when operating machinery.** Make sure you have clear and safe understanding of the machine you are operating.
- 9. Keep children and visitors away.** Make sure children and visitors are at a safe distance for you work area.
- 10. Keep your workshop childproof.** Use padlocks, Turn off master power switches and remove start switch keys.
- 11. Never leave machine unattended.** Turn power off and wait till machine has come to a complete stop before leaving the machine unattended.
- 12. Make a safe working environment.** Do not use machine in a damp, wet area, or where flammable or noxious fumes may exist.
- 13. Disconnect main power before service machine.** Make sure power switch is in the off position before re-connecting.
- 14. Use correct amperage extension cords.** Undersized extension cords overheat and lose power. Replace extension cords if they become damaged.
- 15. Keep machine well maintained.** Keep blades sharp and clean for best and safest performance. Follow instructions when lubricating and changing accessories.
- 16. Keep machine well guarded.** Make sure guards on machine are in place and are all working correctly.
- 17. Do not overreach.** Keep proper footing and balance at all times.
- 18. Secure workpiece.** Use clamps or a vice to hold the workpiece where practical. Keeping the workpiece secure will free up your hand to operate the machine and will protect hand from injury.
- 19. Check machine over before operating.** Check machine for damaged parts, loose bolts, Keys and wrenches left on machine and any other conditions that may effect the machines operation. Repair and replace damaged parts.
- 20. Use recommended accessories.** Refer to instruction manual or ask correct service officer when using accessories. The use of improper accessories may cause the risk of injury.
- 21. Do not force machinery.** Work at the speed and capacity at which the machine or accessory was designed.
- 22. Use correct lifting practice.** Always use the correct lifting methods when using machinery. Incorrect lifting methods can cause serious injury.
- 23. Lock mobile bases.** Make sure any mobile bases are locked before using machine.
- 24. Allergic reactions.** Certain metal shavings and cutting fluids may cause an allergic reaction in people and animals, especially when cutting as the fumes can be inhaled. Make sure you know what type of metal and cutting fluid you will be exposed to and how to avoid contamination.
- 25. Call for help.** If at any time you experience difficulties, stop the machine and call you nearest branch service department for help.

WARNING

Manual Hand Shear Safety Instructions

Machinery House
requires you to read this entire Manual before using this machine.

- 1. Maintenance.** Make sure all moving parts are locked down before any inspection, adjustment or maintenance is carried out. Place a block of timber between the blades to save blades from shearing hands or fingers.
- 2. Hand Shear Condition.** Hand Shear must be maintained for a proper working condition. Never operate a Hand Shear that has damaged or worn parts. Scheduled routine maintenance should be performed on a scheduled basis.
- 3. Blade Condition.** Never operate a Hand Shear with a damaged or badly worn blades. Replace if required.
- 4. Hand Hazard.** Keep hands and fingers clear from moving parts. Serious injury can occur if hand or finger tips come between blades.
- 5. Personal Protection.** Gloves are recommended when handling the workpieces.
- 6. Authorized and trained personnel.** The machine must be operated by authorized and trained personnel. The shear is designed to be operated by a single user. Using the machine with more than one operator is forbidden, except for certain maintenance situations.
- 7. Work area hazards.** Keep the area around the Hand Shear clean from oil, tools, objects & chips. Pay attention to other persons in the area and know what is going on around the area to ensure unintended accidents.
- 8. Guards, Support, Guides.** Do not operate Hand Shears without the correct guards, supports or guides in place. Necessary guards, supports and guides protect you from injuries by the shear blades.
- 9. Material.** Material must NOT be hardened ceramic or glass-originated, non flat metals (at origin) e.g. rods, bars, tubes & pipes.
- 10. Blade gap adjustment.** Do NOT operate the machine without proper blade gap adjustment according to sheet thickness.
- 11. Warning Labels.** Take note of any warning labels on the machine and do not remove them.
- 12. Operation.** During the shearing process, the workpiece may slide or move unexpectedly. Therefore, the material must be handled carefully.
- 13. Level machine.** Level the machine on a flat concrete surface by using a spirit level.
- 14. Hearing protection and hazards.** Always wear hearing protection as noise generated from machine and workpiece can cause permanent hearing loss over time.
- 15. Call for help.** If at any time you experience difficulties, stop the machine and call your nearest branch service department for help.

PLANT SAFETY PROGRAM

NEW MACHINERY HAZARD IDENTIFICATION, ASSESSMENT & CONTROL

Manual Hand Shears

Developed in Co-operation Between A.W.I.S.A and Australia Chamber of Manufactures
This program is based upon the Safe Work Australia, Code of Practice - Managing Risks of Plant in the Workplace (WHSA 2011 No10)

Item No.	Hazard Identification	Hazard Assessment	Risk Control Strategies <small>(Recommended for Purchase / Buyer / User)</small>
B	CRUSHING	LOW	Secure & support work material on table.
C	CUTTING, STABBING, PUNCTURING	MEDIUM	Wear gloves to prevent cuts from sharp material offcuts.
D	SHEARING	MEDIUM	Hands should be kept clear of moving parts and blades. Do not adjust or clean machine while operating.
F	STRIKING	MEDIUM	Wear safety glasses. Stand clear of falling offcuts. Ensure material support/guides are correctly adjusted. Ensure guards are secured properly.
O	OTHER HAZARDS, NOISE.	LOW	Wear hearing protection as required.
Plant Safety Program to be read in conjunction with manufactures instructions			



www.machineryhouse.com.au



www.machineryhouse.co.nz

Authorised and signed by:

Safety officer:

Manager:

Revised Date: 12th March 2012